



- Wireless cassette detector per ISO 4090, fits in bucky
- 150 μm pixel pitch, with 16 bit ADC for more image details
- Stable iSync+ Automatic Exposure Detection (AED)

Mars 1417V is a smart 14×17-inch wireless, cassette-sized FPD for radiographic imaging. It features reliable AED, dependable wireless performance, and a long battery life. The Mars 1417V supports a fast work flow, and is the optimal choice for both retrofit and new DR system solutions.



Superior 14 × 17-inch Cassette-size Flat Panel Detector Designed for Digital Radiography **Mars 1417V**

| Dual band (2.4 and 5 GHz) wireless support
with easy sharing |

| Long battery life and smart workflow |

| Direct deposition CsI for better image quality
with lower dose |

IMAGING THE FUTURE

Superior 14 × 17-inch Cassette-size Flat Panel Detector Designed for Digital Radiography

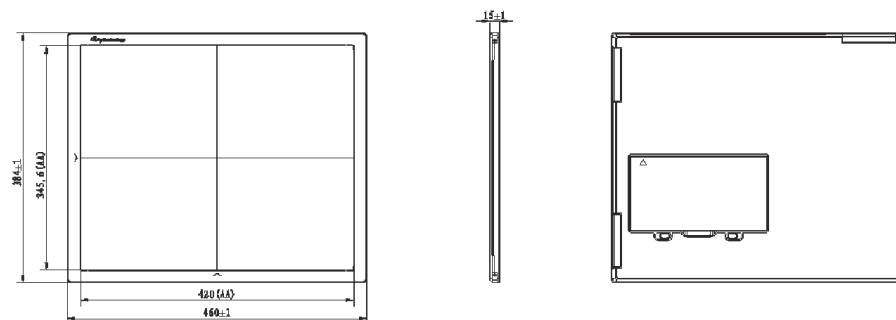
Technical Specifications

Mars 1417V

Detector Technology	Amorphous Silicon
Scintillator	CaI
Active Area (mm ²)	346 × 420
Pixel Matrix	2304 × 2800
Pixel Pitch (μm)	150
Spatial Resolution (lp/mm)	3.4
AD Conversion (bit)	16
Battery Autonomy (h)	5
WiFi	2.4G and 5G, IEEE802.11 a/b/g/n/ac
Trigger Mode	AED (Optional) / Software
Full Image Time (s)	Typ.5
Dimensions (mm)	384 × 460 × 15
Weight (kg)	3.8
Static Loading	150kg Uniformly
Ingress Protection	IPX1
Operating Temperature (°C)	5 ~ 35
Storage & Transport Temperature with Package (°C)	-20 ~ 55
Operating Humidity (% RH)	10 ~ 90 (Non-Condensing)
Storage & Transport Humidity with Package (% RH)	5 ~ 95 (Non-Condensing)

Dimensions

Unit: mm



www.iraygroup.com

Manufactured by Ray Technology specifications subject to change without notice.
Copyright © 2019 Ray Technology, All Rights Reserved.

CHINA

IRay Technology Company Limited

Building 45, No.1000, Jinhai Road, Pudong
New Area, Shanghai, China 201208
Tel: +86-21-5072 0560
Fax: +86-21-5072 0561
Email: market@iraygroup.com

IRay Technology Taicang Ltd.

No.33, Xinggang Road, Taicang Port
Economic and Techn. Devel.
Zone, Taicang City, Jiangsu Prov-
ince, China 215400

KOREA

IRay Korea Limited

1820, 18F, 5, Gaseon digital
1-ro, Geumcheon-gu, Seoul,
Republic of Korea 08584
Tel: +82-2-6335-8333
Fax: +82-2-6335-8334
Email: market@iraykorea.com

EUROPE

IRay Europe GmbH

In den Dorfweiden 14
71720 Oberstenfeld, Germany
Tel: +49-7082-977 8800
Fax: +49-7082-976 0571
Email: sales@irayeuropa.com





i-Ray Technology Company Limited
 Room 202, Building 7, No. 590, Ruiqing RD., Zhangjiang East, Pudong, Shanghai, China 201201
 Tel: 0086 21-50720560-8102 Fax: 0086 21-50720561
www.iraygroup.com

Serial Number of MARS 1417V-TSI

1. Serial Number of Flat Panel Detector Mars 1417V-TSI

Wireless Digital Flat Panel Detector


Model: Mars1717V-VSI



Power: Adapter Port Input 24V---0.8A
 Battery Port Input 10.8V---1.78A

iRay Technology Co., Ltd.
 Rm.202, Building 7, No. 590, Ruiqing Rd.,
 Zhangjiang East, Pudong, Shanghai, China 2019-08
www.iraygroup.com

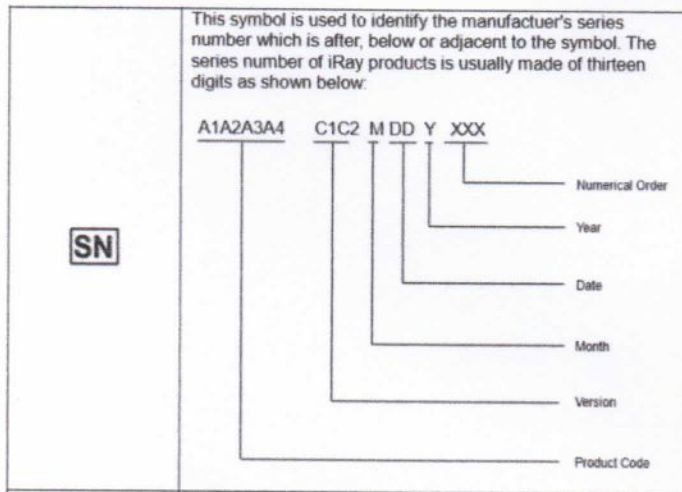
EC REP: iRay Europe GmbH
 In den Dorfriesen 14,71720 Oberstfeld Germany

FC Contains FCC ID: 2ACHK-01070189

SN 
 FU360510T0824190011

2. Explanation of Flat Panel Detector Mars 1417V-TSI



3. Example of Flat Panel Detector Mars 1417V-TSI

SERIAL NUMBER: FU480910 T078 7 18 20 022

FU480910	Product Code
T078	Version
7	Month
18	Date

